

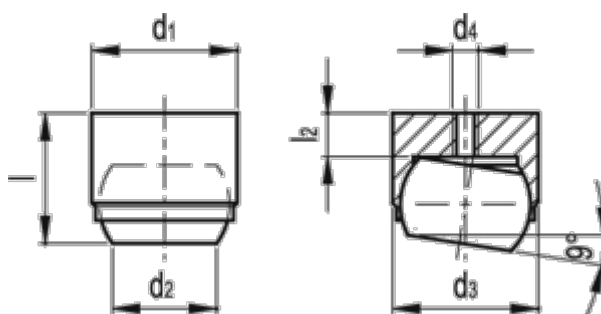
Data Sheet



Article number: 20253027

Description: E+G Clamping pad
GN 709.2-28-B

Measures



d1 m6 = 28
d2 = 20.0
d3 = 25
d4 = M5
d5 = 28
h min = 13
l +/-0.02 = 25
l2 = 5.5

Max static load (KN) = 90
Weight (g) = 80